

SCANTECH ID

LIBRA L-7050

Flexible Omni-Directional Laser Scanner



Introduction

Libra L-7050 received optimistic criticism from its outstanding features like protection IP rating, one meter shock resistance, its strong endurance design and automatic sleep and wake-up function which saves power and extends a product's life. The wall mount feature also provides friendly installation for any suitable placement and is specially devised for retail space and from its contemporary design.

This powerful scanner has 6 directional scan fields, with dense 24 scan lines pattern, equipped with superior 2000 scans/second and support combo interface for easily only a cable change. For added flexibility, the scanning head can be tilted forward and backward within a 102° range to accommodate objects of various sizes and shapes. Libra's elegant outlook provided outstanding quality in design and conventional retail requirements.



CHAMPTEK[®]
We value your ID's

www.champtek.com

LIBRA L-7050 Flexible Omni-Directional Laser Scanner

LIBRA L-7050

Features

- The competitive cost and higher performance on the market.
- Durable characteristic with IP42 rating and 1m drop resistance.(with cable)
- Read 1D standard bar codes include GS1 Databar family symbols to future proof your investment.
- Automatic sleep and wake-up mode which saves power and improves life time.
- Support multiple interfaces to allow with only a cable change.
- Support wall-mount hanging for easy installation.
- Adjustable scan head can be tilted forward and backward within 102° range for best accommodation.
- STAR code reconstruction technique allows easy reading of truncated, damaged and substandard bar codes.
- Scanner Tuner software allows for easy programming and set up of scanners.

Specifications

Physical Characteristics

Depth	97.71 mm / 3.84 inch
Width	94 mm / 3.70 inch
Height	161.51 mm / 6.36 inch
Weight	350g
Color	Gray / Black

Electrical

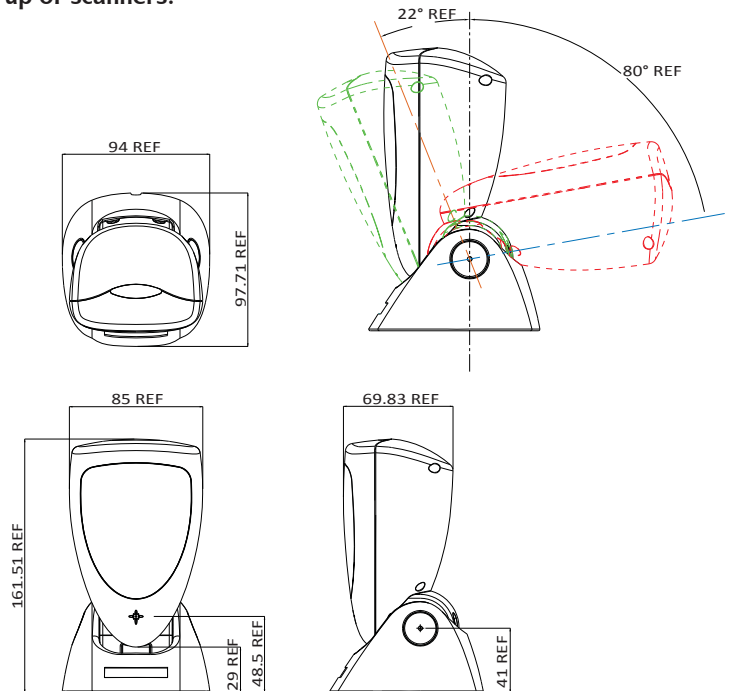
DC input to scanner	5V DC / AC adapter 100V ~ 240V ; 50~60Hz
Power output	1.25 Watt @ +5 V DC

Interfaces

RS232
KBW
USB (HID and COM port emulation)
Power USB (optional)

Scanner Characteristics

Light source	650 nm visible laser diode
Depth of field	up to 240 mm@0.33mm / 13mil, PCS90% (Performance may be impacted by bar code quality and environmental conditions)
Scan pattern	6 direction scan fields, 24 lines scan pattern
Tilted	22° forward or 80° backward
Scan rate	2000 scans/sec.
Light level	Max 4800 LUX
Barcode types	Automatically discriminates all standard 1D bar codes include GS1 databar family, Omnidirectional, Stacked Omnidirectional, Expanded, Expanded Stacked , Truncated and Limited.



Environmental

Operating Temperature	0°C ~ 40°C (32°F ~ 104°F)
Storage Temperature	-20°C ~ 60°C (-4.6°F ~ 140°F)
Humidity	5% ~ 95% RH (non-condensing dew)

Safety

Laser Safety IEC 825-1 (2001) Class I, U.S.
CDRH: 21CFR1040 Class II a

Electrical Safety EN 60950 second edition

EM Compatibility

EN 55022	Class B, 2006 +A1:2007
EN 55024	1998+A1:2001 +A2:2003

CE, FCC and RoHS compliant

Due to Champtek's / Scantech ID's continuing product improvement programs, specifications and features are subject to change without notice.