

# MJ-4209

## Handheld/Hand-free Laser Barcode Scanner



### Characteristics

#### Rugged Construction

Anti-1.8M drop shock. Structural stability, long-term use to meet the 24 hours required.

#### Wide Scanning Range

Whether close to 2.5mm, or as far as 600mm, can easily scan all UPC / EAN barcode.

#### Efficient, Fast, Comfortable Scanning

MJ-4209 has a powerful scanning capabilities and a wider scanning range, can quickly and accurately collect data. The plug-and-play installation design makes this product installation and use is very convenient, need hardly receive any training.

#### Supports Multiple Interfaces

Supports RS232, USB, KBW, a variety of interfaces to ensure that your existing and future terminal equipment.

#### Ergonomic Design

Smooth, coordinated shape can reduce user fatigue, allowing the operator comfortable and efficiency improved significantly.

### Handheld And Auto-Induction

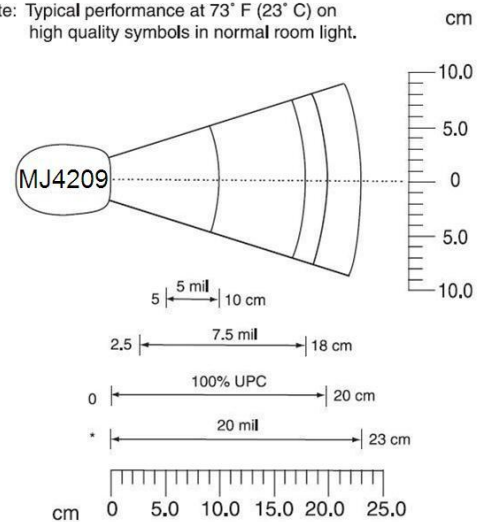
Support Press button, Automatic continuous scan Auto-induction, three scanning mode And can switch at any time.

### Simple sets

Simple set, Don't spend too much time to understand the product to use, saving you valuable time.

### MJ-4209 Decode Zone

Note: Typical performance at 73° F (23° C) on high quality symbols in normal room light.

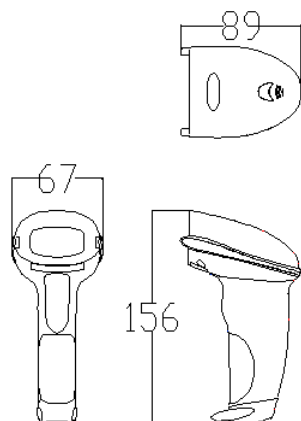


Depth of field

## MJ-4209 parameter list

### Physical Characteristics

Dimensions : 15.6 cm\* 6.7 cm\* 8.9cm



Net weight : 115 g

Material : ABS+PC

Voltage : 5 V +/- 10%

Current:110mA , idle 10mA

Color: gray, black

### Performance Characteristics

Scanner type: bi-directional

Light source:650nm Visible laser diode

Scanning Rate:100 scans per second

Scanning distance:2.5mm-600mm

Scanning scope:18CM

Print contrast: 25% minimum reflective difference

①Roll(tilt): +/- 30degrees

②Pitch: +/- 45 degrees

③Skew(yaw): +/- 60 degrees

DecodeCapability :UPC/EAN,UPC/EANwithsupplementals

Code128,UCC/EAN128,Code39Code39FullASCII,

Code128FullASCII,Codabar,Interleaved2of5,Code93,

MSI,Code11,ISBN,ISSN,china post code, etc

Bit error rate: 1/500million

Resolution:4mil(0.1mm)

Tip : buzzer and led

Scanning mode : Press button, Automatic continuous scan

Auto-induction,

Working times of button : 3 million times

Working hours of laser:10000hours

④Interfaces supported: RS232,keyboard wedge, USB.

Cable length:2M

### User Environment

Working temperature 0°C-45°C/32°F-104°F

Storage temperature: -40°C-60°C/-40°F-140°F

Relative humidity:5%-95%(Non-condensing)

Anti-shock design :withstand 1.8M drops

Ambient light immunity: immune to direct exposure of normal office and factory lighting conditions, As well as direct exposure to sunlight.

### Regulatory

Electrostatic discharge: certified to  $\pm 15$ KV air discharge and  $\pm 8$ KV of contact discharge

EMI/RFI : FCC Part 15 Class B,European Union EMC Directive,Taiwan EMC,CE

Laser safety: CDRH Class II,IEC Class 2

environmental protection: certified to RoHS directive 2002/95/EEC

### Standard Configuration

Manual, Product Certification, Stand(optional),USB Cable

### Warranty

The MJ-4209 is warranted against defects in workmanship and materials for a period of 1 years (12 months) from date of shipment, provided that the product remains unmodified and is operated under normal and proper conditions. See full warranty for details.

- ①. Roll (Tilt): Controlled by rotating the wrist clockwise or counterclockwise
- ②. Pitch: Controlled by dropping or raising the wrist
- ③. Skew (Yaw): Controlled by rotating the wrist from left to right or vice versa
- ④ Standard configuration-USB cable

## Accessories Description

### A , About Stand

#### Adjustable stand

Color : Black, Gary

Material: ABS+PC

Weight:189g

Adjustable angle:90 degrees

For : MJ-4209



Stand figure

#### Stand render

When the barcode scanner working on the Auto-induction mode or Automatic continuous scan mode. With the stand , To avoid duplication of key action.

In order to facilitate transportation, the stand delivery in the form of parts.



Stand render figure

### B , About cable

Use the different interface cable, Please scan set-barcode to match the selected cable

USB Cable (Standard configuration)

RS-232cable(not including +5VDC)

Cable weight

USB : 97g

RS-232 : 114g

KBW : 128g

#### Cable signal

The laser barcode scanner interfaces terminate to a 10-pin RJ45.RS232,PS2 keyboard ,USB

Signal Table

Cable	PS2 keyboard	RS-232/TTL	USB
Pin	Function	Function	Function
1	NC	NC	NC
2	+5V	+5V	+5V
3	GND	GND	GND
4	PCCLK	RXD	D-
5	NC	NC	NC
6	NC	NC	NC
7	NC	NC	NC
8	PCDATA	RTS	D+
9	KBDATA	TXD	NC
10	KBCLK	CTS	NC